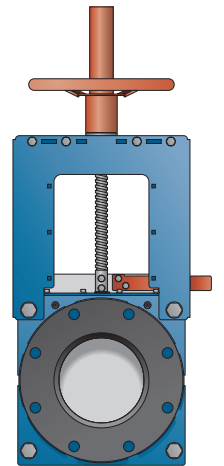
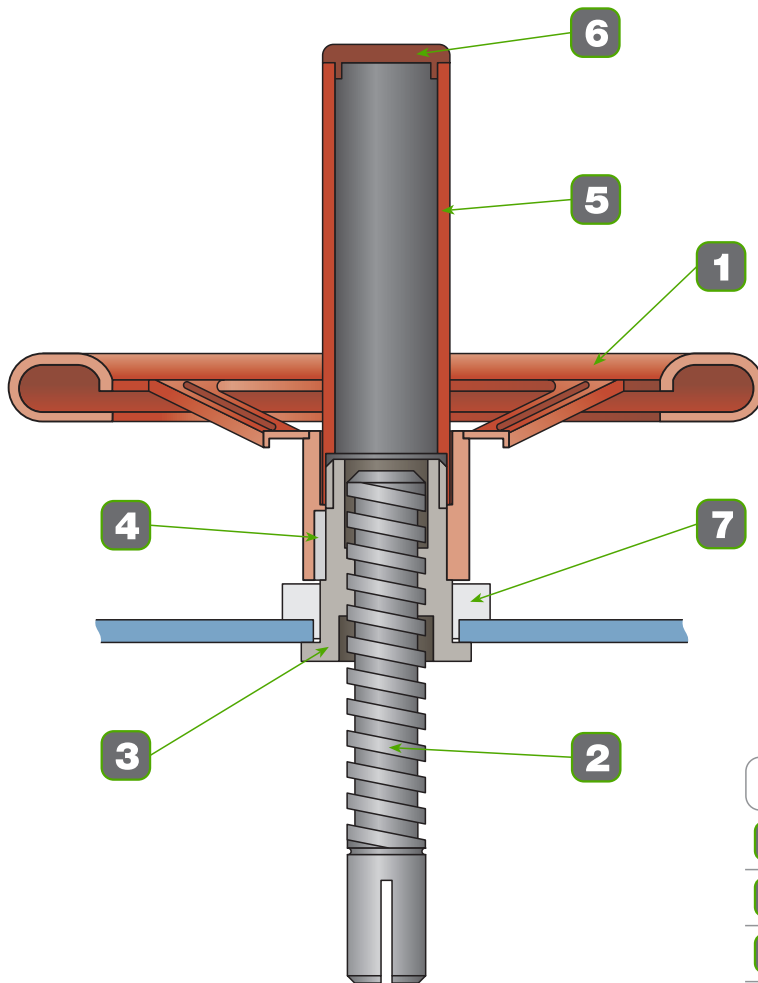


## HM-VA

### VA. Handwheel with rising stem.

Particularly suitable for facilities in which space is not a problem.

Manufactured from DN 50 up to DN 450, for any other sizes, please check with our Technical Department.

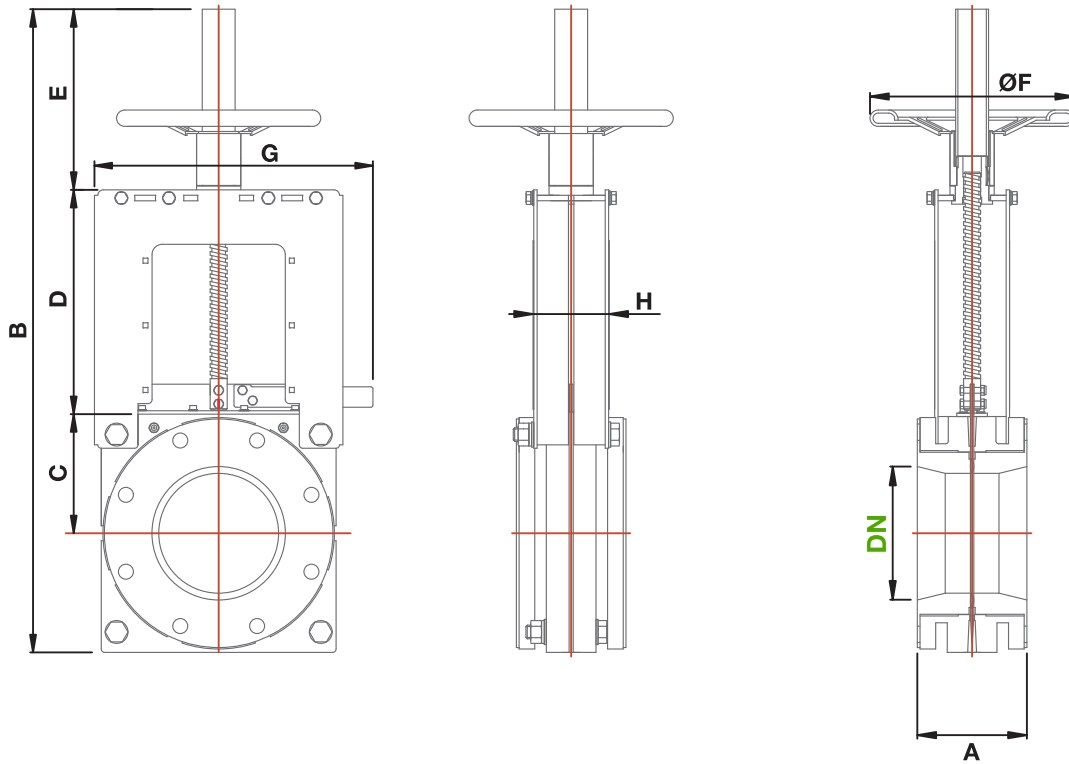


	DESCRIPTION	MATERIAL	U.
<b>1</b>	Handwheel	Steel + Epoxy	1
<b>2</b>	Stem	AISI-303 / AISI-316	1
<b>3</b>	Nut	Bronze	1
<b>4</b>	Cotter	Bichromate steel	1
<b>5</b>	Protection	Steel + Epoxy	1
<b>6</b>	Plug	Plastic	1
<b>7</b>	Bearing	Nylon	1

The manufacturer reserves the right to make modifications without prior notice.

## HM-VA

Measurements.



DN	A	B	C	D	E	ØF	G	H	PN
2"/DN50	130	445	85	149	125	200	200	78	10
3"/DN80	139	526	104	171	147	200	236	73	10
4"/DN100	151	662	115	206	176	200	280	84	10
5"/DN125	163	737	128	239	241	250	319	93	10
6"/DN150	163	801	147	265	241	250	345	94	10
8"/DN200	161	945	175	329	265	300	409	110	7
10"/DN250	218	1,177	205	389	378	350	467	113	7
12"/DN300	240	1,322	230	450	412	350	535	101	7
14"/DN350	248	1,505	265	509	466	400	607	138	7
16"/DN400	250	1,725	297	592	538	500	659	152	7
18"/DN450	270	1,842	320	627	575	500	706	148	3.5

Assembly between Flanges ANSI 150lbs. / PN10 / DN Nominal Diameter / ØF Handwheel diameter  
 PN Nominal Pressure in bar. / Measurements in mm.

The manufacturer reserves the right to make modifications without prior notice.