

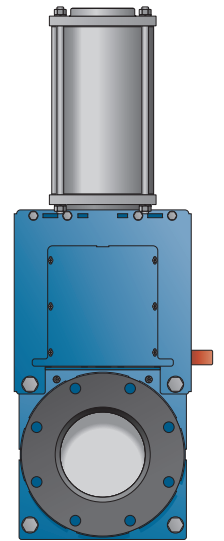
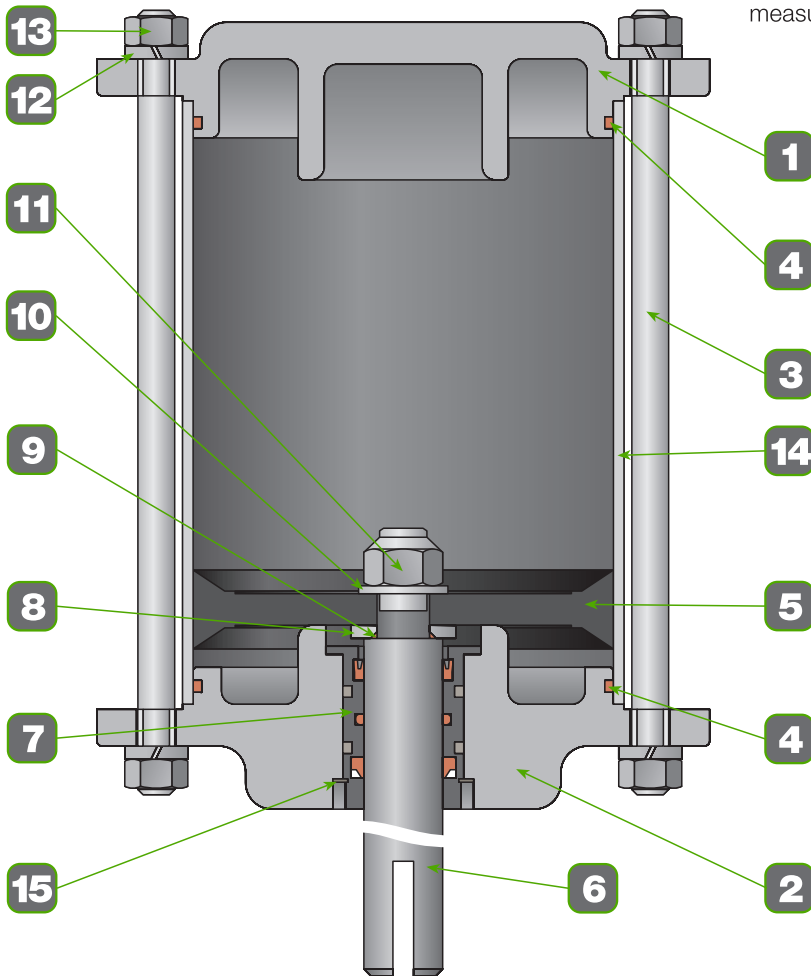
HM-NDE

NDE. Double acting pneumatic cylinder.

The supply pressure of the cylinder must be 6 Kg/cm².

Whenever an anomaly is detected in the normal operation of the cylinder, you should carry out a maintenance procedure by changing the seals or gaskets (their duration will depend on the number of operations).

Manufactured from DN 50 up to DN 450, for any other measurements, please check with our Technical Department.



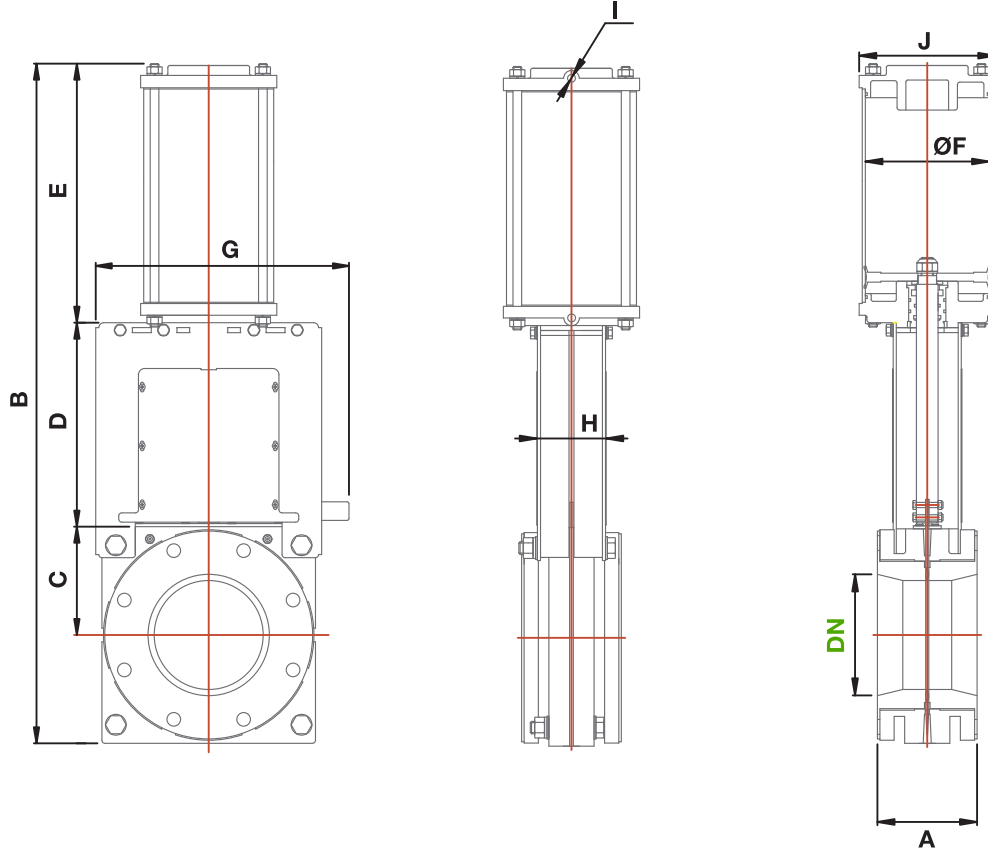
DESCRIPTION	MATERIAL	U.
1 Top cover	Aluminium	1
2 Bottom cover	Aluminium	1
3 Tie-rods	Bichromate steel	4
4 O-ring	NBR	2
5 Piston	NBR	1
6 Shaft	AISI-303 / AISI-316	1
7 Bushing	Delrin	1
Collar	NBR	1
Inner ring	NBR	1
Outer ring	NBR	2
Scraper	Polyurethane	1

DESCRIPTION	MATERIAL	U.
8 Washer	Bichromate steel	1
9 O-ring	NBR	1
10 Washer DIN 125	Bichromate steel	1
11 Self-locking nut DIN985	Bichromate steel	1
12 Grower washer DIN127	Bichromate steel	8
13 Nut DIN 934	Bichromate steel	8
14 Liner	Aluminium	1
15 Safety ring	Bichromate steel	1

The manufacturer reserves the right to make modifications without prior notice.

HM-NDE

Measurements.



DN	A	B	C	D	E	ØF	G	H	I	J	PN
2"/DN50	130	544	85	149	224	80	200	78	1/4"GAS	100	10
3"/DN80	139	630	104	171	251	100	236	73	3/8"GAS	114	10
4"/DN100	151	718	115	206	282	125	280	84	3/8"GAS	144	10
5"/DN125	163	818	128	239	322	160	319	93	3/8"GAS	180	10
6"/DN150	163	905	147	265	345	160	345	94	3/8"GAS	180	10
8"/DN200	161	1,098	175	329	418	200	409	110	1/2"GAS	220	7
10"/DN250	218	1,285	205	389	485	200	467	113	1/2"GAS	220	7
12"/DN300	240	1,430	230	450	520	200	535	101	1/2"GAS	220	7
14"/DN350	248	1,649	265	509	610	250	607	138	1/2"GAS	274	7
16"/DN400	250	1,863	297	592	676	250	659	152	1/2"GAS	274	7
18"/DN450	270	2,017	320	627	750	300	706	148	3/4"GAS	327	3.5

Assembly between Flanges ANSI 150lbs. / PN10 / DN Nominal Diameter / ØF Cylinder diameter / I inlets
 PN Nominal Pressure in bar. / Measurements in mm.

The manufacturer reserves the right to make modifications without prior notice.